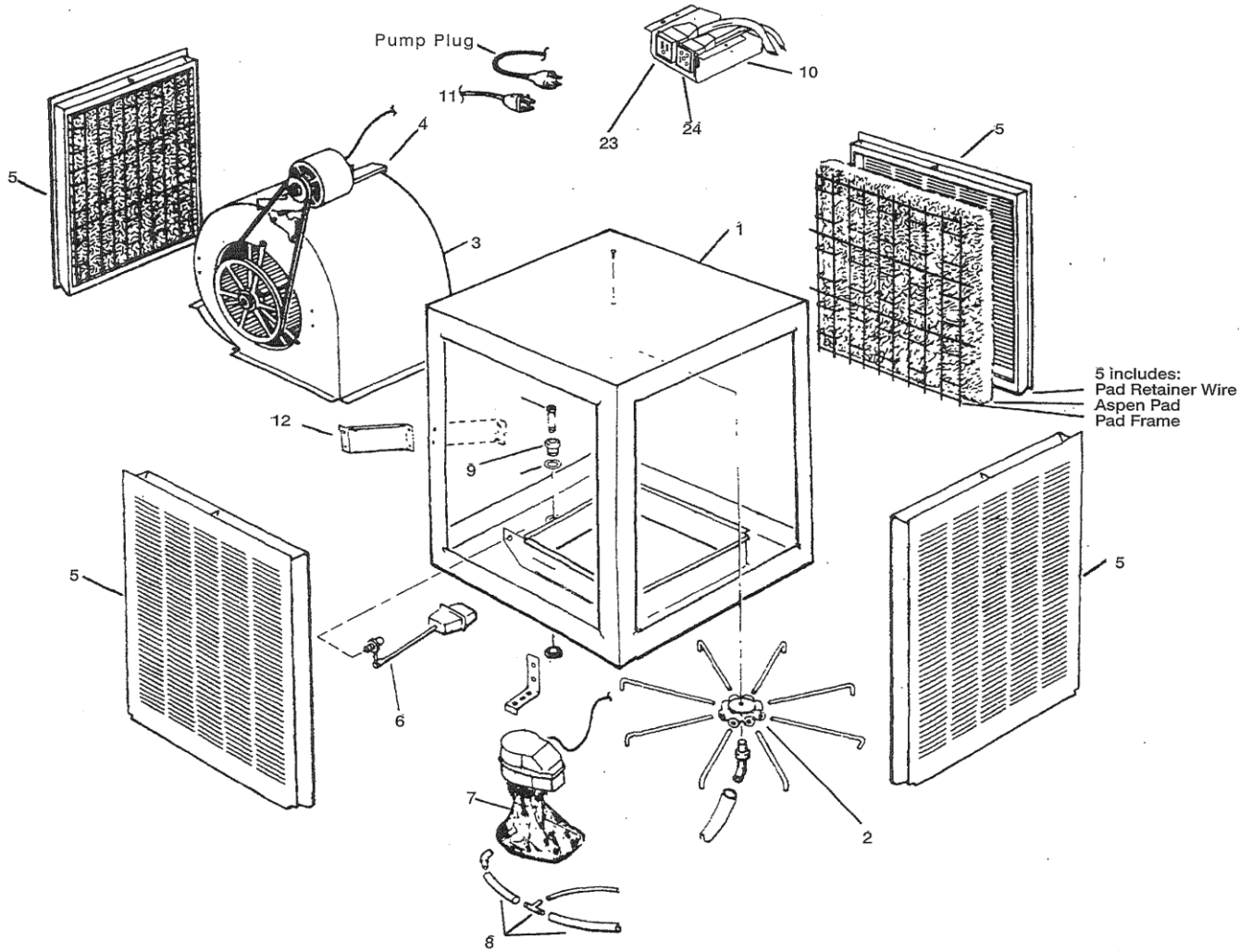


ITEM # DESCRIPTION

- 1 Cabinet (NOT Available)
- 2 Water Distributor Assembly
- 3 Blower Assembly Complete
- 4 Adjustable Motor Mount
- 5 Pad Frame Assy. Complete
- 6 Float Valve
- 7 Recirculating Pump
- 8 Bleed-off Kit
- 9 Overflow Standpipe Assy.
- 10 Junction Box
- 11 Male Motor Cord
- 12 Blower Housing Support
- 13 Motor Mounting traps
- 14 Motor Sheave
- 15 Blower Belt
- 16 Motor
- 17 Blower Pulley
- 18 Bearing Assembly
- 19 Leather Washers
- 20 Delrin Spacers (pair)
- 21 Shaft
- 22 Blower Wheel
- 23 Female Pump Cord
- 24 Female Motor Cord

FRIGIKING PARTS ILLUSTRATION
FRIGIKING ILUSTRACION DE PARTES



ARTICULO # DESCRIPCION

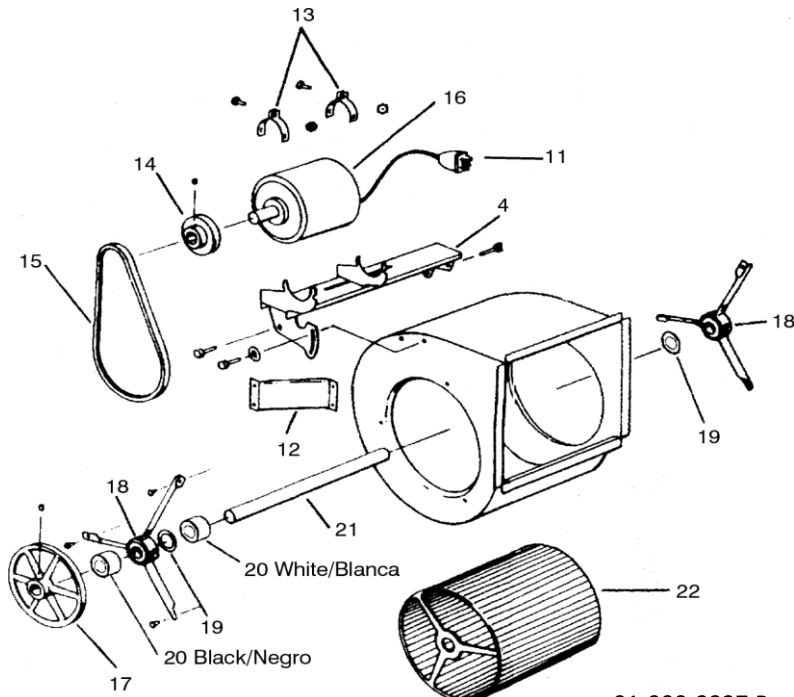
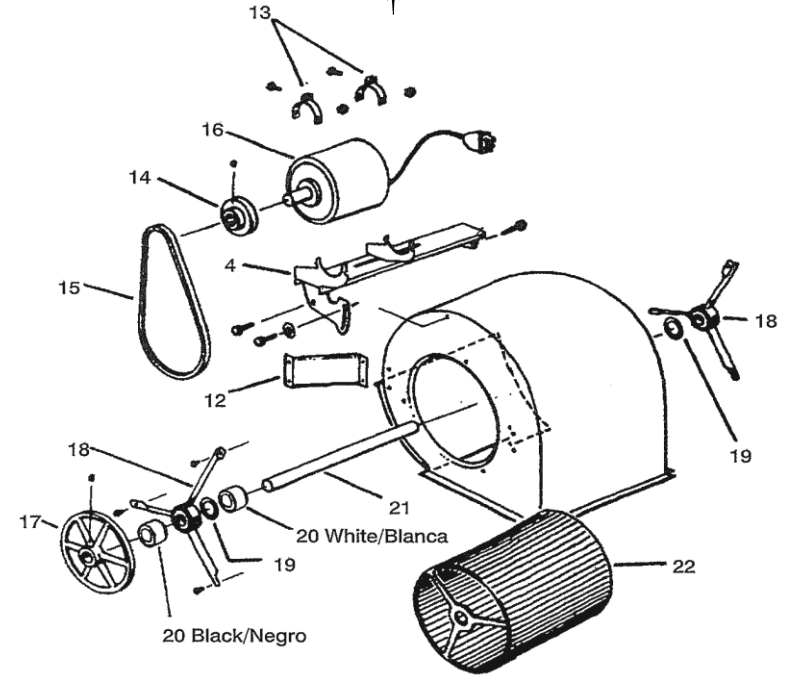
- 1 Gabinete (NO Disponible)
- 2 Distr. de Agua
- 3 Soplador Ensamble
- 4 Motor Montadura Ajustable
- 5 Filtro Ensamble
- 6 Valvula Flotador
- 7 Bomba
- 8 Juego de Sangria
- 9 Rebosadero y Drenaje
- 10 Caja de Empalmo
- 11 Motor Cable Macho
- 12 Sopaldor Soporte
- 13 Abrazaderas Motor
- 14 Polea Motor
- 15 Banda
- 16 Motor
- 17 Polea Soplador
- 18 Ensamble Chumasera
- 19 Arandela de Cuero
- 20 Despaciador Delrin (par)
- 21 Eje
- 22 Turbina
- 23 Cordón Bomba Hembra
- 24 Motor Cable Hembra



FRIGIKING PARTS ILLUSTRATION FRIGIKING ILUSTRACION DE PARTES



ITEM #	DESCRIPTION	FD350A	FD450A	FD650A	FS350A	FS450A	FS650A
1	Cabinet (NOT Available)						
2	Water Distributor Assembly	5-6-181	5-6-194	5-6-194	5-6-192	5-6-190	5-6-197
3	Blower Assembly Complete	5-3-43	5-3-45	5-3-47	5-3-44	5-3-46	5-3-48
4	Adjustable Motor Mount	5-3-87	5-3-85	5-3-86	5-3-87	5-3-85	5-3-86
5	Pad Frame Assy. Complete	5-2-8A	5-2-10A	5-2-11A	5-2-8A	5-2-10A	5-2-11A
6	Float Valve	5-6-1	5-6-1	5-6-1	5-6-1	5-6-1	5-6-1
7	Recirculating Pump	SEE BELOW (vea abajo)					
8	Bleed-off Kit	5-6-3	5-6-3	5-6-3	5-6-3	5-6-3	5-6-3
9	Overflow Standpipe Assy.	5-6-5	5-6-5	5-6-5	5-6-5	5-6-5	5-6-5
10	Junction Box	3-7-120	3-7-120	3-7-120	3-7-120	3-7-120	3-7-120
11	Male Motor Cord	SEE BELOW (vea abajo)					
12	Blower Housing Support	5-3-140	5-3-144	5-3-144	5-3-142	5-3-146	5-3-148
13	Motor Mounting traps	5-7-28	5-7-28	5-7-28	5-7-28	5-7-28	5-7-28
14	Motor Sheave	SEE BELOW (vea abajo)					
15	Blower Belt	5-3-17	5-3-18	5-3-24	5-3-17	5-3-18	5-3-24
16	Motor	SEE BELOW (vea abajo)					
17	Blower Pulley	5-3-59	5-3-58	5-3-60	5-3-59	5-3-58	5-3-60
18	Bearing Assembly	5-3-37	5-3-38	5-3-39	5-3-37	5-3-38	5-3-39
19	Leather Washers	---	5-3-8	5-3-8	---	5-3-8	5-3-8
20	Delrin Spacers (pair)	5-3-82	---	---	5-3-82	---	---
21	Shaft	5-3-1	5-3-2	5-3-3	5-3-1	5-3-2	5-3-3
22	Blower Wheel	5-3-34	5-3-35	5-3-36	5-3-34	5-3-35	5-3-36
23	Female Pump Cord	SEE BELOW (vea abajo)					
24	Female Motor Cord	5-7-5	5-7-5	5-7-5	5-7-5	5-7-5	5-7-5



BARE MOTOR KITS		FD/FS350A	FD/FS450A	FD/FS650A
16	Motor, Horsepower	1/3	1/3 1/2	1/2 3/4
	1 SPEED - 120V	5-7-39	5-7-39 5-7-41	5-7-41 5-7-45
	2 SPEED - 120V	5-7-40	5-7-40 5-7-42	5-7-42 5-7-42
	1 SPEED - 240V	---	5-7-43	5-7-43 5-7-47
	2 SPEED - 240V	---	5-7-44	5-7-44 5-7-48
14	Motor Sheave	5-3-66	5-3-66	5-3-66 5-3-129

7. Recirculating Pump
120V 5-6-34
240V 5-6-44

11. Motor Cord
120V 5-7-58
240V 5-7-57

23. Female Pump Cord
120V 5-7-6
240V 5-7-59