

# Phoenix Manufacturing, Inc.

3655 E. Roeser Rd. • Phoenix, AZ 85040 • phoenixmanufacturing.com • 602-437-1034

## SPECIFICATION DATA RESIDENTIAL AEROCOOL® PRO-SERIES



Down Discharge  
(PD & UPD Models)



Side Discharge  
(PH & UPH Models)

### FEATURES:

- High quality architectural grade Peblar XT® finish
- Pro-Armor: The premier single inlet cooler with polymeric inner structure that completely shields the wet section from corrosive interaction.
- Pro-Series thermostat for fully automatic control.
- Pro Clean System provides sump dump pump for cyclic dumping of sump water, keeping the cooler free of harmful mineral build up.
- Galvanized sheet steel is zinc coated at weights rated G40 or G90
- Evaporative media used in the UL Listed models is rated to UL900, Class 2
- These units are equipped with High Efficiency Rigid Media pads. Evaporative media is corrugated cellulose material, impregnated with insoluble antirot salts and rigidifying saturates.
- Bearings have an L10 bearing life of 39,000 hours
- Electrical service knockouts are 1/2".
- Water supply line is 1/4" O.D. on both sides.
- Bottom pan drain is 3/4" male hose thread.
- UL Classified Evaporative Air Cooler, in accordance with the Uniform Mechanical Code. UL Listed models are also available. To order a UL Listed model, add a "U" prefix to the part number. NOTE: in order to maintain the UL Classified or UL Listed designation, these models must be installed with PMI motor kits and pumps
- All models ship with pump and motor installed.
- Pro-Shield weatherizing panel inhibits heat loss and cold air from entering your home during the off season.

**WARNING:** This product can expose you to chemicals including Lead, which is known to the State of California to cause cancer and birth defects or other reproductive harm. For more information go to [www.P65Warnings.ca.gov](http://www.P65Warnings.ca.gov)

UL Classified	
PD/PH 4802C	PD/PH 6802C
PD/PH 4232C	PD/PH 6232C
	PVD/PVH 6802C
UL Listed	
UPD/UPH 4802	UPD/UPH 6802
UPD/UPH 4232	UPD/UPH 6232

### PERFORMANCE

**AIR DELIVERY** - data published derived from tests conducted in accordance with A.M.C.A. (Air Movement and Control Assoc.) standard 210.

**BEARING LIFE** - L10 bearing life of 39,600 hours is based on ABMA standard 9/ISO standard 281.

**BLOWER WHEEL** - balanced in accordance with ISO 1940 and A.N.S.I. standard S2.19, quality grade G6.3.

**SINGLE PHASE MOTORS** - tested under UL standard 507 for locked rotor and heat rise protection.

### CONSTRUCTION

**EVAPORATIVE MEDIA** - specifically corrugated cellulose material, impregnated with insoluble anti-rot salts and rigidifying saturates.

**SEALANT** - water immersion per ASTM D870.

**HOT DIPPED GALVANIZED SHEET STEEL** - is ASTM A653, type CS, with zinc coating weights rated G40 or G90.

**CORROSION RESISTANCE** - per ASTM B117.

**PENCIL HARDNESS** - per ASTM D3363.

**IMPACT RESISTANCE** - per D2794.

**FLEXIBILITY** - per ASTM D522

**SURFACE BURNING CHARACTERISTICS** - of building materials (best rating) per UL 723 and ASTM E-84.

**PEBLAR XT®** - is our one coat TGIC Polyester Powder Coating system that is applied over 5 stage zinc phosphate prepared sheet steel surfaces for protection against atmospheric corrosion. This coating system meets the requirements of UL 1332 - organic coatings for steel enclosures of outdoor use electrical equipment.

**AEROCOOL® Evaporative Coolers and components are designed and tested in accordance with one or more of the following standards or agencies: Note: In order to maintain the UL Classified or UL Listed designation, these models must be installed with PMI supplied motor kits and pumps.**



#### UL Classified Models

The Aerocool Pro-Series models are Classified by UL as Evaporative Air Coolers in accordance with the Uniform mechanical Code.



#### UL Listed Models

Listed to applicable UL Standards and requirements by UL.

All data, specifications and detail contained in this publication are intended as a general guide for using PHOENIX MANUFACTURING, INC. products. These products should not be used in design or construction without an independent evaluation by a qualified engineer or architect to verify the suitability of a particular product for use in a specific application. PHOENIX MANUFACTURING, INC. assumes no liability for failure resulting from the use or misapplication of computation, detail drawings and specifications contained herein. This publication contains the latest information available at the time of printing. PHOENIX MANUFACTURING, INC. reserves the right to make modifications and/or change materials of any of their products without prior notice or obligation. PHOENIX MANUFACTURING, INC. may not produce all of the products contained in this submittal. For product availability and the latest information regarding products contact PHOENIX MANUFACTURING, INC.

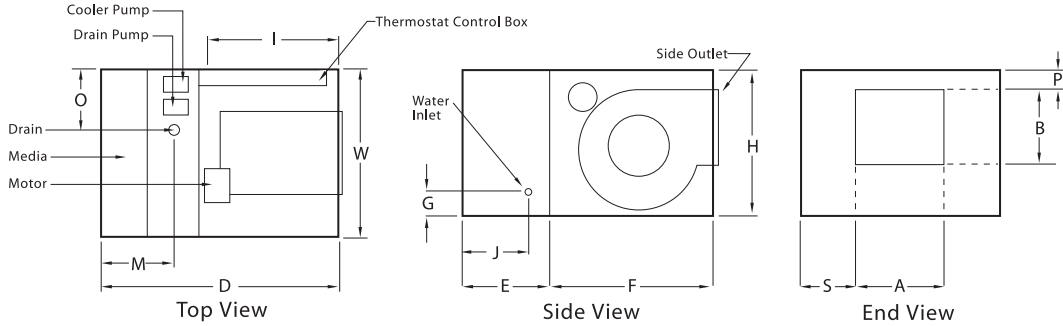
Project: \_\_\_\_\_ Location: \_\_\_\_\_

Architect: \_\_\_\_\_ Engineer: \_\_\_\_\_

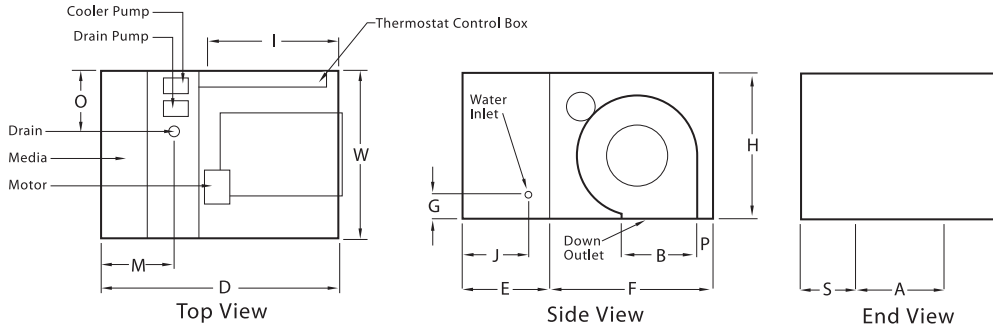
Contractor: \_\_\_\_\_ Submitted by: \_\_\_\_\_

Notes: \_\_\_\_\_

## Side Discharge



## Down Discharge



CFM Specifications								Motors Ship Separately			
Model Number	Indus. STD Rating	CFM at Static Pressure						Electrical Specifications			
		0.0"	0.1"	0.2"	0.3"	0.4"	0.5"	HP	Speed	Volts	Amps
PD4802C	4800	3450	3200	3050	2950	2500	2310	3/4	2	120	11.9
PH4802C	4800	3450	3200	3050	2950	2500	2310	3/4	2	120	11.9
PD4232C	4800	3450	3200	3050	2950	2500	2310	3/4	2	240	6.4
PH4232C	4800	3450	3200	3050	2950	2500	2310	3/4	2	240	6.4
PD6802C - PVD6802	6800	4430	4310	4135	3990	3695	3460	1	2 - V	120	14.1
PH6802C - PHV6802	6800	4430	4310	4135	3990	3695	3460	1	2 - V	120	14.1
PD6232C	6800	4430	4310	4135	3990	3695	3460	1	2	240	7.4
PH6232C	6800	4430	4310	4135	3990	3695	3460	1	2	240	7.4

V = VARIABLE SPEED

Pro-Series Engineering Data														
Model Number	Cabinet			Duct Opening				Water Inlet		Drain			Ship Weight	Oper. Weight
	H	W	D	A	B	E	F	G	J	M	O	P		
PD4802C	27 5/16	42	43	17 3/4	17 3/4	17	26	5 1/2	13 1/2	13 1/4	13	1 1/2	177	195
PH4802C	27 5/16	42	43	17 3/4	17 3/4	17	26	5 1/2	13 1/2	13 1/4	13	1 1/2	179	197
PD4232C	27 5/16	42	43	17 3/4	17 3/4	17	26	5 1/2	13 1/2	13 1/4	13	1 1/2	177	195
PH4232C	27 5/16	42	43	17 3/4	17 3/4	17	26	5 1/2	13 1/2	13 1/4	13	1 1/2	179	197
PD6802C - PVD6802C	34 5/16	42	45	19 3/4	19 3/4	17	28	5 1/2	13 1/2	13 1/4	13	1 1/2	217	232
PH6802C - PHV6802C	34 5/16	42	45	19 3/4	19 3/4	17	28	5 1/2	13 1/2	13 1/4	13	3 5/16	217	232
PD6232C	34 5/16	42	45	19 3/4	19 3/4	17	28	5 1/2	13 1/2	13 1/4	13	1 1/2	217	232
PH6232C	34 5/16	42	45	19 3/4	19 3/4	17	28	5 1/2	13 1/2	13 1/4	13	3 5/16	217	232