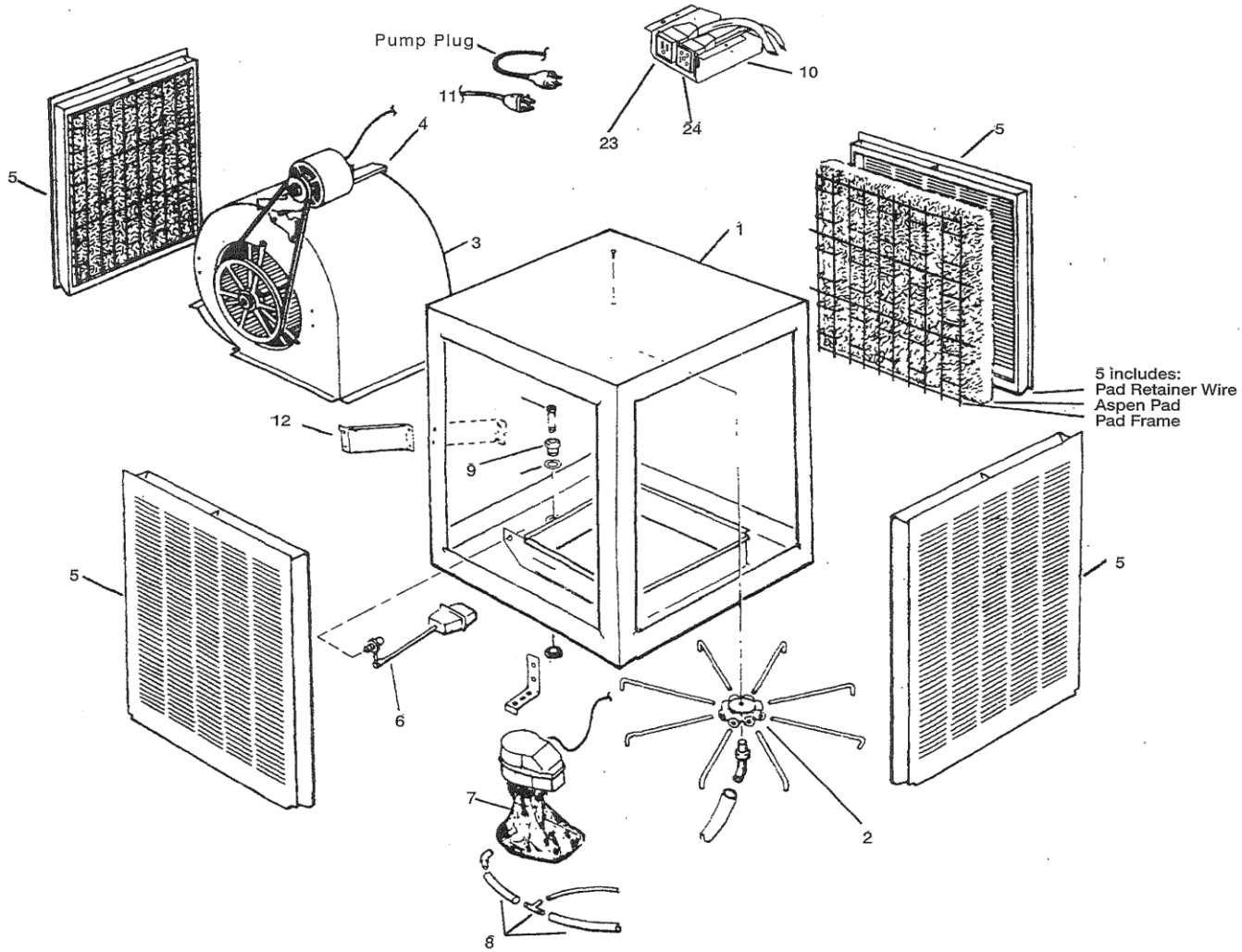


ITEM #	DESCRIPTION
1	Cabinet (NOT Available)
2	Water Distributor Assembly
3	Blower Assembly Complete
4	Adjustable Motor Mount
5	Pad Frame Assy. Complete
6	Float Valve
7	Recirculating Pump
8	Bleed-off Kit
9	Overflow Standpipe Assy.
10	Junction Box
11	Male Motor Cord
12	Blower Housing Support
13	Motor Mounting traps
14	Motor Sheave
15	Blower Belt
16	Motor
17	Blower Pulley
18	Bearing Assembly
19	Leather Washers
20	Delrin Spacers (pair)
21	Shaft
22	Blower Wheel
23	Female Pump Cord
24	Female Motor Cord

FRIGIKING PARTS ILLUSTRATION FRIGIKING ILUSTRACION DE PARTES



ARTICULO #	DESCRIPCION
1	Gabinete (NO Disponible)
2	Distr. de Agua
3	Soplador Ensamble
4	Motor Montadura Ajustable
5	Filtro Ensamble
6	Valvula Flotador
7	Bomba
8	Juego de Sangria
9	Rebosadero y Drenaje
10	Caja de Empalmo
11	Motor Cable Macho
12	Sopaldor Soporte
13	Abrazaderas Motor
14	Polea Motor
15	Banda
16	Motor
17	Polea Soplador
18	Ensamble Chumasera
19	Arandela de Cuero
20	Despaciador Delrin (par)
21	Eje
22	Turbina
23	Cordón Bomba Hembra
24	Motor Cable Hembra

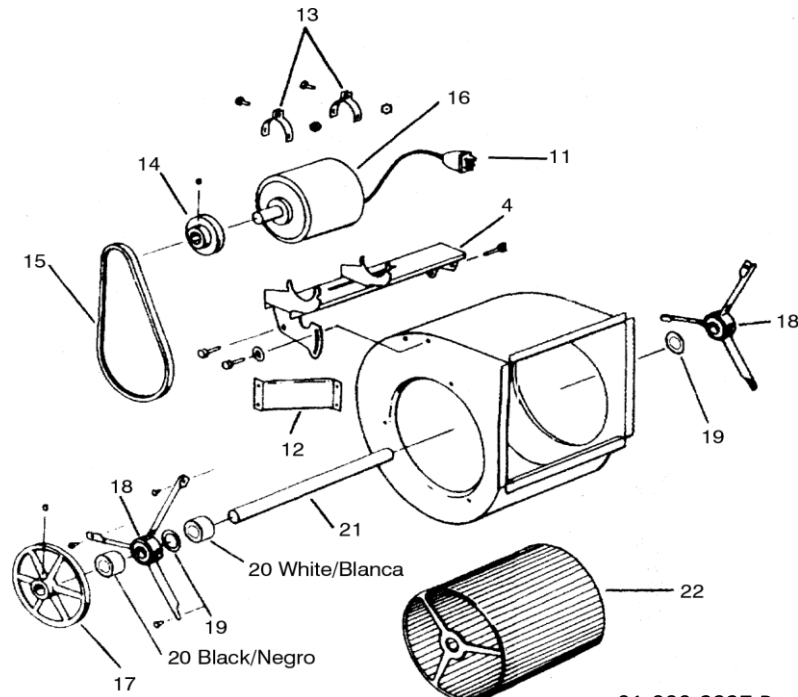
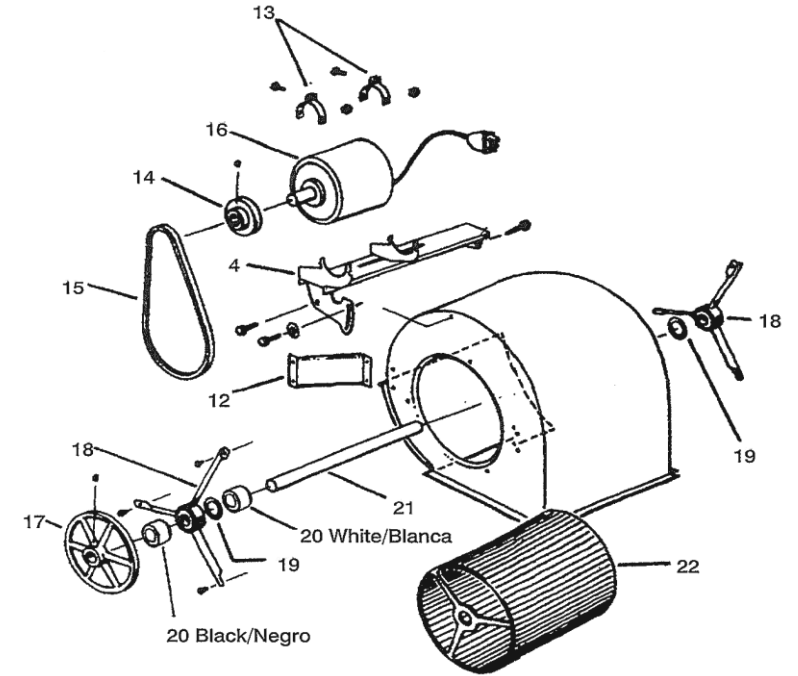


FRIGIKING PARTS ILLUSTRATION

FRIGIKING ILUSTRACION DE PARTES



ITEM #	DESCRIPTION	FD350A	FD450A	FD650A	FS350A	FS450A	FS650A
1	Cabinet (NOT Available)						
2	Water Distributor Assembly	5-6-181	5-6-194	5-6-194	5-6-192	5-6-190	5-6-197
3	Blower Assembly Complete	5-3-43	5-3-45	5-3-47	5-3-44	5-3-46	5-3-48
4	Adjustable Motor Mount	5-3-87	5-3-85	5-3-86	5-3-87	5-3-85	5-3-86
5	Pad Frame Assy. Complete	5-2-8A	5-2-10A	5-2-11A	5-2-8A	5-2-10A	5-2-11A
6	Float Valve	5-6-1	5-6-1	5-6-1	5-6-1	5-6-1	5-6-1
7	Recirculating Pump	SEE BELOW (vea abajo)					
8	Bleed-off Kit	5-6-3	5-6-3	5-6-3	5-6-3	5-6-3	5-6-3
9	Overflow Standpipe Assy.	5-6-5	5-6-5	5-6-5	5-6-5	5-6-5	5-6-5
10	Junction Box	3-7-120	3-7-120	3-7-120	3-7-120	3-7-120	3-7-120
11	Male Motor Cord	SEE BELOW (vea abajo)					
12	Blower Housing Support	5-3-140	5-3-144	5-3-144	5-3-142	5-3-146	5-3-148
13	Motor Mounting traps	5-7-28	5-7-28	5-7-28	5-7-28	5-7-28	5-7-28
14	Motor Sheave	SEE BELOW (vea abajo)					
15	Blower Belt	5-3-17	5-3-18	5-3-24	5-3-17	5-3-18	5-3-24
16	Motor	SEE BELOW (vea abajo)					
17	Blower Pulley	5-3-59	5-3-58	5-3-60	5-3-59	5-3-58	5-3-60
18	Bearing Assembly	5-3-37	5-3-38	5-3-39	5-3-37	5-3-38	5-3-39
19	Leather Washers	---	5-3-8	5-3-8	---	5-3-8	5-3-8
20	Delrin Spacers (pair)	5-3-82	---	---	5-3-82	---	---
21	Shaft	5-3-1	5-3-2	5-3-3	5-3-1	5-3-2	5-3-3
22	Blower Wheel	5-3-34	5-3-35	5-3-36	5-3-34	5-3-35	5-3-36
23	Female Pump Cord	SEE BELOW (vea abajo)					
24	Female Motor Cord	5-7-5	5-7-5	5-7-5	5-7-5	5-7-5	5-7-5



BARE MOTOR KITS		FD/FS350A	FD/FS450A	FD/FS650A
16	Motor, Horsepower	1/3	1/3 1/2	1/2 3/4
	1 SPEED - 120V	5-7-39	5-7-39 5-7-41	5-7-41 5-7-45
	2 SPEED - 120V	5-7-40	5-7-40 5-7-42	5-7-42 5-7-42
	1 SPEED - 240V	---	5-7-43	5-7-43 5-7-47
	2 SPEED - 240V	---	5-7-44	5-7-44 5-7-48
14	Motor Sheave	5-3-66	5-3-66	5-3-66 5-3-129

7. Recirculating Pump
120V 5-6-34
240V 5-6-44

11. Motor Cord
120V 5-7-58
240V 5-7-57

23. Female Pump Cord
120V 5-7-6
240V 5-7-59