



2024
ISVSPC



COMMERCIAL SERVICES

FACTORY ASSEMBLY & PRE-WIRED SERVICES

Phoenix Manufacturing Inc.

3655 E. Roeser Rd. Phoenix, AZ 85040

Phone: 602-437-1034

E-mail: pmisales@phxmfg.com

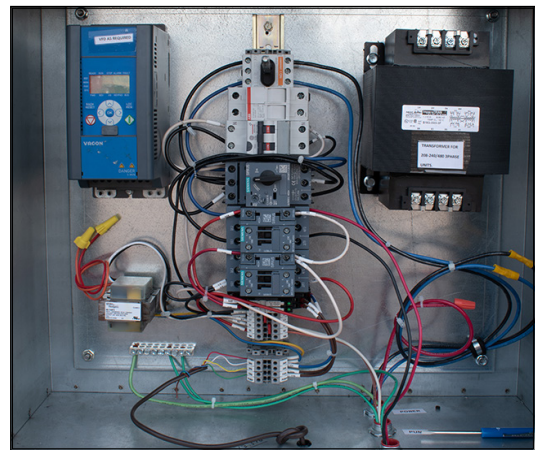
www.phoenixmanufacturing.com



ISVPSC

INTERNAL SINGLE VOLTAGE SINGLE POINT CONNECTION

Factory pre-wired service includes installation and wiring of the motor, motor sheave, float valve, pump and pump junction box. The Control box for the ISVSPC is for simplistic wiring specifically designed for the desired motor voltage required.



FEATURES:

- SINGLE PHASE OR 3 PHASE MOTOR INSTALLED.
- CLASS 10 OVERLOAD PROTECTION FOR THE 3 PHASE MOTORS.
- CIRCUIT BREAKER SERVES AS DISCONNECT FOR MOTOR –SEPARATE FIELD SUPPLIED DISCONNECT FOR MOTOR NOT REQUIRED.
- SEPARATE DISCONNECT FOR PUMP/CONTROL CIRCUIT – EASILY SHUT DOWN UNIT FOR INSPECTION.
- RELAY TO CONTROL PUMP OPERATION.
- TERMINAL BLOCKS FOR INPUT/OUTPUT CONNECTIONS IN THE CONTROL BOX.
- THE ISVSPC HAS A SIMPLE MULTI-POSITION SWITCH FOR MANUAL CONTROL VFD MOTOR (FAN) CONTROLLER OPTION IS AVAILABLE UPON REQUEST. CONTACT PMI FOR PRICING AND AVAILABILITY.

OPTIONAL:



C-STAT Thermostat without VFD and CV-STAT Thermostat with VFD Applications.

- 24 VOLT
- EASY TO INSTALL
- PROVIDES A PAD “PRE-WET” & “RINSE” CYCLE
- FULL 24/7 PROGRAMMABLE CAPABILITY
- COMPATIBLE WITH ALL SVPC MODELS
- LARGE BLUE DISPLAY FOR EASY LOW-LIGHT VIEWING
- 365 DAY PROGRAMMABLE CALENDAR
- UL LISTED



RF Series



BACnet BMS compatible fully integrated in cooler controls, room sensors available.

ISVSPC PARTS

SVSPC PART #	H.P.	VOLTAGE	PHASE
ISVSPC12-161	3/4	120	1
ISVSPC12-165	1	120	1
ISVSPC12-169	1 1/2	120	1
ISVSPC12-172	2	120	1
ISVSPC20-161	3/4	208	1
ISVSPC24-161	3/4	240	1
ISVSPC20-165	1	208	1
ISVSPC24-165	1	240	1
ISVSPC20-169	1 1/2	208	1
ISVSPC24-169	1 1/2	240	1
ISVSPC20-172	2	208	1
ISVSPC24-172	2	240	1
ISVSPC20-163	3/4	208	3
ISVSPC24-163	3/4	240	3
ISVSPC20-166	1	208	3
ISVSPC24-166	1	240	3
ISVSPC20-167	1	200	3
ISVSPC20-170	1 1/2	208	3
ISVSPC24-170	1 1/2	240	3
ISVSPC20-171	1 1/2	200	3
ISVSPC20-173	2	208	3
ISVSPC24-173	2	240	3
ISVSPC20-174	2	200	3
ISVSPC20-176	3	208	3
ISVSPC24-176	3	240	3
ISVSPC20-177	3	200	3
ISVSPC20-178	5	208	3
ISVSPC24-178	5	240	3
ISVSPC20-179	5	200	3
ISVSPC24-182	7 1/2	240	3
ISVSPC20-183	10	208	3
ISVSPC24-183	10	240	3
ISVSPC48-163	3/4	480	3
ISVSPC48-166	1	480	3
ISVSPC48-170	1 1/2	480	3
ISVSPC48-173	2	480	3
ISVSPC48-176	3	480	3
ISVSPC48-178	5	480	3
ISVSPC48-182	7 1/2	480	3
ISVSPC48-183	10	480	3

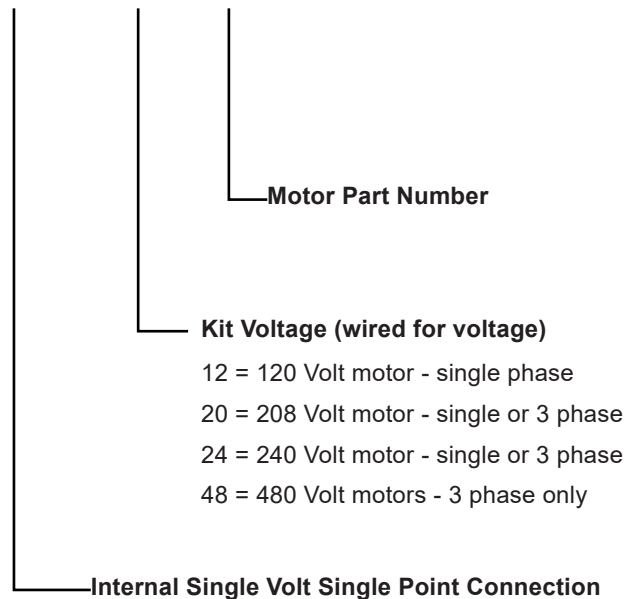
INCLUDES:

- CONTROL VOLTAGE TRANSFORMER
- PUMP TRANSFORMER
- MOTOR CONTRACTOR
- PUMP CONTRACTOR
- THERMAL MOTOR PROTECTION
- FUSING
- TRANSFORMER FOR 208-204/480V 3-PHASE TO 120V TO ACCOMMODATE UP TO 6 120V PUMPS

EXAMPLE MODEL

(All pumps are 120V)

ISVSPC 24 - 176



SPECIAL SERVICE SOLUTIONS

ISVSPC - INTERNAL SINGLE VOLTAGE - SINGLE POINT CONNECTION

Factory pre-wired service includes installation and wiring of the motor, motor sheave, float valve, pump and pump junction box, The control box for the ISVSPC is for simplistic wiring especially designed for the desired motor voltage required.



(OPTIONAL)



EISA MOTOR



SWITCH BOX



120V PUMP



ROTARY SWITCH

VALUE & COMMITMENT

Phoenix Manufacturing, Inc. (PMI) is a designer, manufacturer, and distributor that primarily produces evaporative cooling products designed for the comfort of the home or business. Values at PMI begin with our employees, customers, and suppliers. We strive each day to treat those involved with PMI with respect while performing our duties with integrity. We put a premium on those values to best serve our industry in a manner that will deliver quality in everything we do. The phone calls, e-mails and meetings, along with our products and services, are designed to deliver these values as no one else does and to do it consistently each day.



WARNING: This product can expose you to chemicals including Lead, which is known to the State of California to cause cancer and birth defects or other reproductive harm. For more information go to www.P65Warnings.ca.gov



DESIGNED & ASSEMBLED IN
THE USA SINCE 1975

August 2023