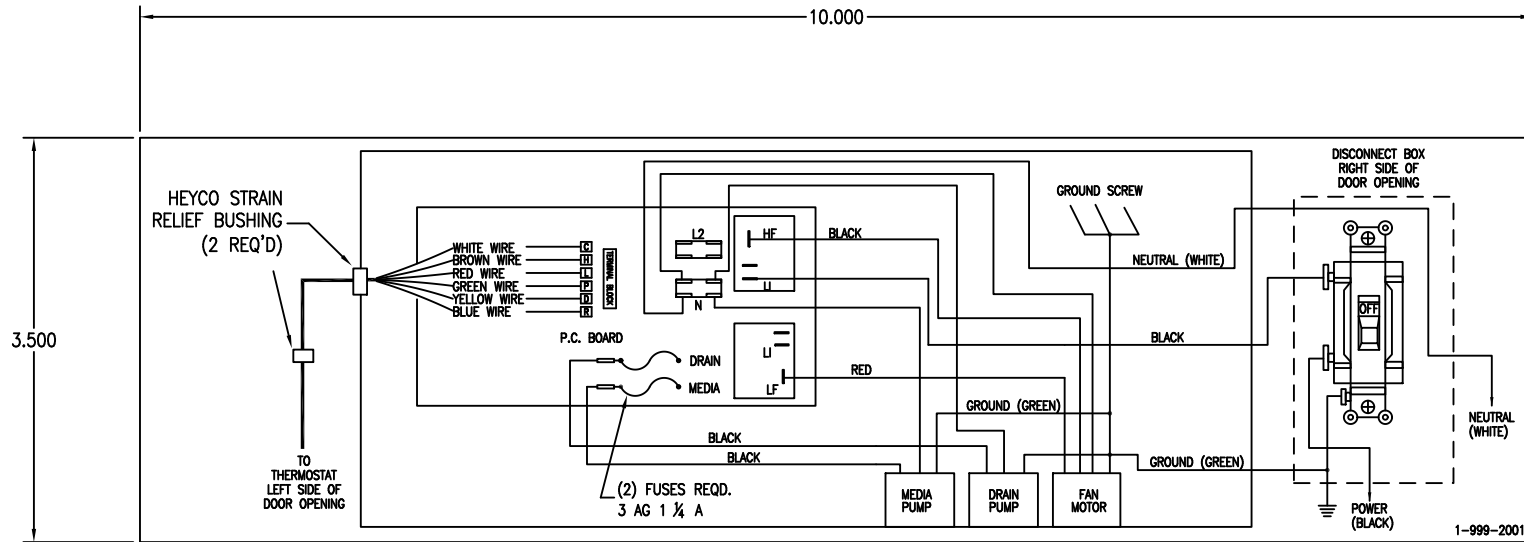


PROPRIETARY NOTICE

THIS DOCUMENT AND THE INFORMATION CONTAINED HEREIN ARE PROPRIETARY DATA OF PHOENIX MANUFACTURING INC. NEITHER THIS DOCUMENT OR THE INFORMATION CONTAINED SHALL BE REPRODUCED, USED OR DISCLOSED TO ANY OTHER WITHOUT WRITTEN CONSENT OF PHOENIX MANUFACTURING INC.

APPD	ECN	REV	DESCRIPTION	BY	DATE
KG	2940		RELEASE	KMH	11-13-02



Phoenix Manufacturing Inc.

NOTES: UNLESS OTHERWISE SPECIFIED

- 1 MATERIAL: .004 THICK WHITE VINYL W/BLACK PRINTING
.001 THICK ACRYLIC ADHESIVE
- 2 VENDOR: HEYCO

DRAWN:	DATE:
K.HOLROYD	11-13-02
APPROVED:	DATE:
<i>K.Holroyd</i>	11-13-02
SCALE:	1=2
TOLERANCE:	.XXX = ±.030 X" = ±2"

115V
WIRING SCHEMATIC LABEL

MATERIAL:	SIZE:	DRAWING NUMBER:
	DO NOT SCALE DRAWING	C 1-999-2001